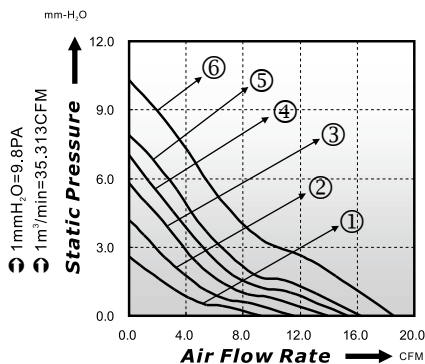


50x50x10mm

Model A

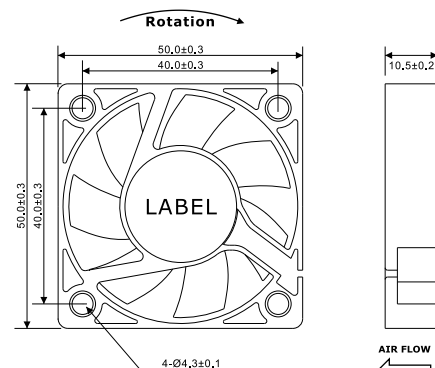


P-Q Curve (At Rated Voltage)



Dimensions Drawing

Unit: (mm)



Model No	Bearing (*)	Rated Voltage (VDC)	Rated Current (A)	Power Consumption (Watts)	Speed (rpm)	Air Flow (CFM)	Static Pressure (mmH ₂ O)	Noise (dBA)	Curve
ED05010-05M*	○ ● ⊖	5	0.14	0.70	4000	9.27	2.58	28.1	1
ED05010-05H*	○ ● ⊖	5	0.17	0.85	5000	11.58	4.19	32.5	2
ED05010-12L*	○ ● ⊖	12	0.06	0.72	4000	9.27	2.58	28.1	1
ED05010-12M*	○ ● ⊖	12	0.09	1.08	5000	11.58	4.19	32.5	2
ED05010-12H*	○ ● ⊖	12	0.12	1.44	6000	13.91	5.80	37.9	3
ED05010-12HH*	○ ● ⊖	12	0.15	1.80	6600	15.30	7.02	38.6	4
ED05010-24L*	○ ● ⊖	24	0.10	2.40	5000	11.58	4.19	32.5	2
ED05010-24M*	○ ● ⊖	24	0.15	3.60	6000	13.91	5.80	37.9	3
ED05010-24H*	○ ● ⊖	24	0.20	4.80	7000	16.22	7.90	39.8	5
ED05010-24HH*	○ ● ⊖	24	0.25	6.00	8000	18.54	10.32	42.4	6

* Bearing Type: ○ Sleeve ● Two Ball ⊖ Hydro-Dynamic